



7/8 INCH [22.23 MM] OD TRANSDUCER, DIGITAL ASIC HYBRID DMB002-XX-YYY

Part Number Coding: AAA BBB - XX - YYY
 Family Options Pressure Temperature

FEATURES AND BENEFITS

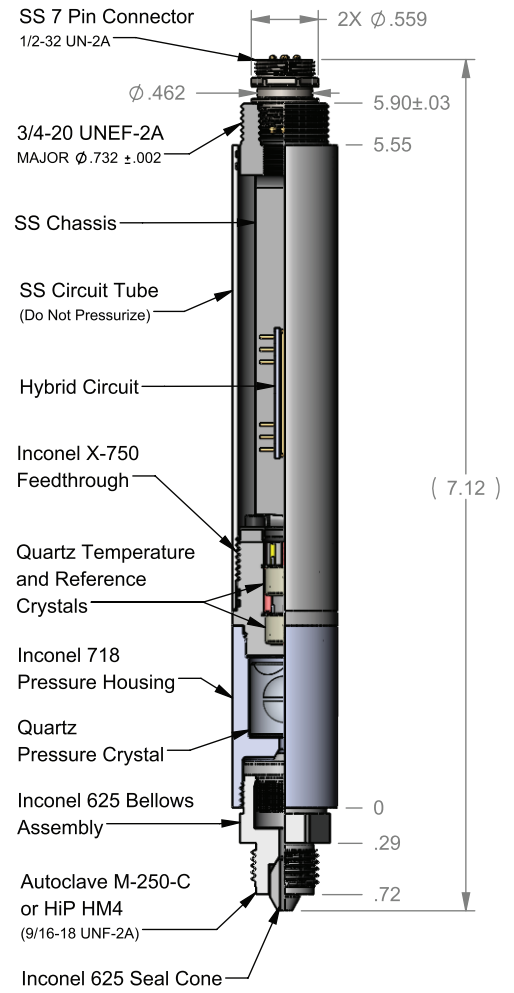
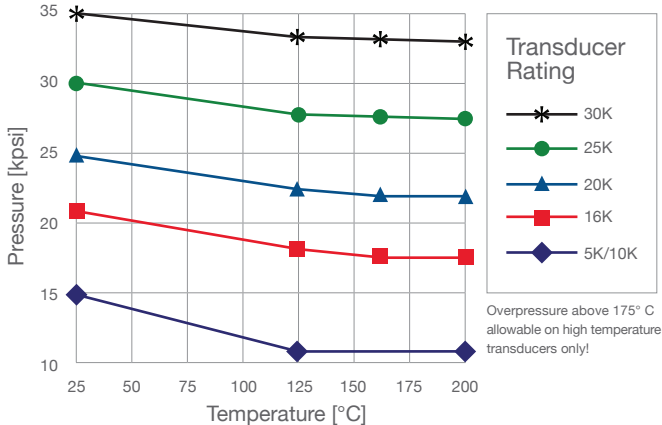
- Pressure range: 0 - 35,000 psi [0 to 2415 bar]
- Operating temperature range: -40° to 225°C
- Drift at max temperature and pressure: 0.02% FS / year
- NIST Traceable Calibration
- Fast transient response
- Metal to metal pressure seal
- Protected Bellows

MECHANICAL SPECIFICATIONS

- Proof Pressure. 35,000 psi (2415 bar)
- Overpressure without sensor damage Varies with temperature; see plot below
- Fluid Filled. Non-toxic engineered sebacate or mineral oil; depends on temperature
- Mechanical Shock / Vibration See Quartzdyne document [E20-032](#)
- Weight 11.5 oz. [326g]

OVERPRESSURE LIMITS

For Quartzdyne® Pressure Transducers



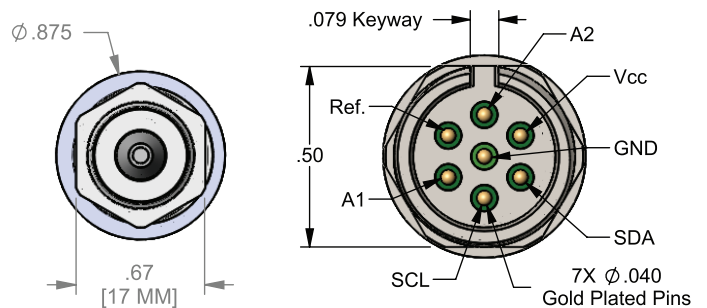
ELECTRICAL CONNECTIONS

Output: Digital I²C

Wire: 28 AWG Solid Core, TFE ET (Ø0.027" [0.69mm]) 4 inch [101.6mm] flying leads

Color	Description	Color	Description
Blue	VCC (5.5V DC max)	Purple	A2 (Address 2)
White	Reference Signal	Yellow	A1 (Address 1)
Green	SDA (Data)	Slate	SLC (Clock)

White w/Black Stripe Ground



TOOL DESIGN CONSIDERATIONS

- If attaching a secondary carrier to the end of the transducer, allow for a 0.125 inch minimum clearance hole for the output wires. The edges of this hole should be generously rounded to prevent insulation damage. Adding a piece of tubing (i.e., FEP Teflon heat shrink) to prevent wire damage is also recommended. Flying Leads can be exposed by carefully removing 7-pin connector.