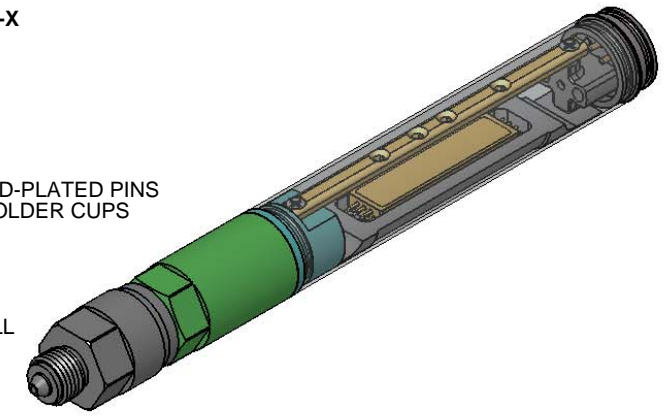


LABEL	DESCRIPTION
T	TEMPERATURE
P	PRESSURE
R	REFERENCE
G	GROUND
V	POWER, 3-5VDC



Part Number: QHB108-xx-yyy
© 2012 Quartzdyne, Inc.
March 12, 2012



QUARTZDYNE, INC.

A DOVER COMPANY

Mechanical Specifications

E20-028

A0

Mechanical Specifications for 1" Transducers

Mechanical Proof Pressure	30,000 psia [2068 bar]
Sensor Pressure Limit	varies with temperature; see plot below
Pressure Media	particle-free fluid compatible with Inconel 625
Mechanical Shock	500 g, 2 ms half-sine
Vibration	10 – 2,000 Hz, 10.9 gRMS Random Vibration
Weight	10 oz [283 g]

